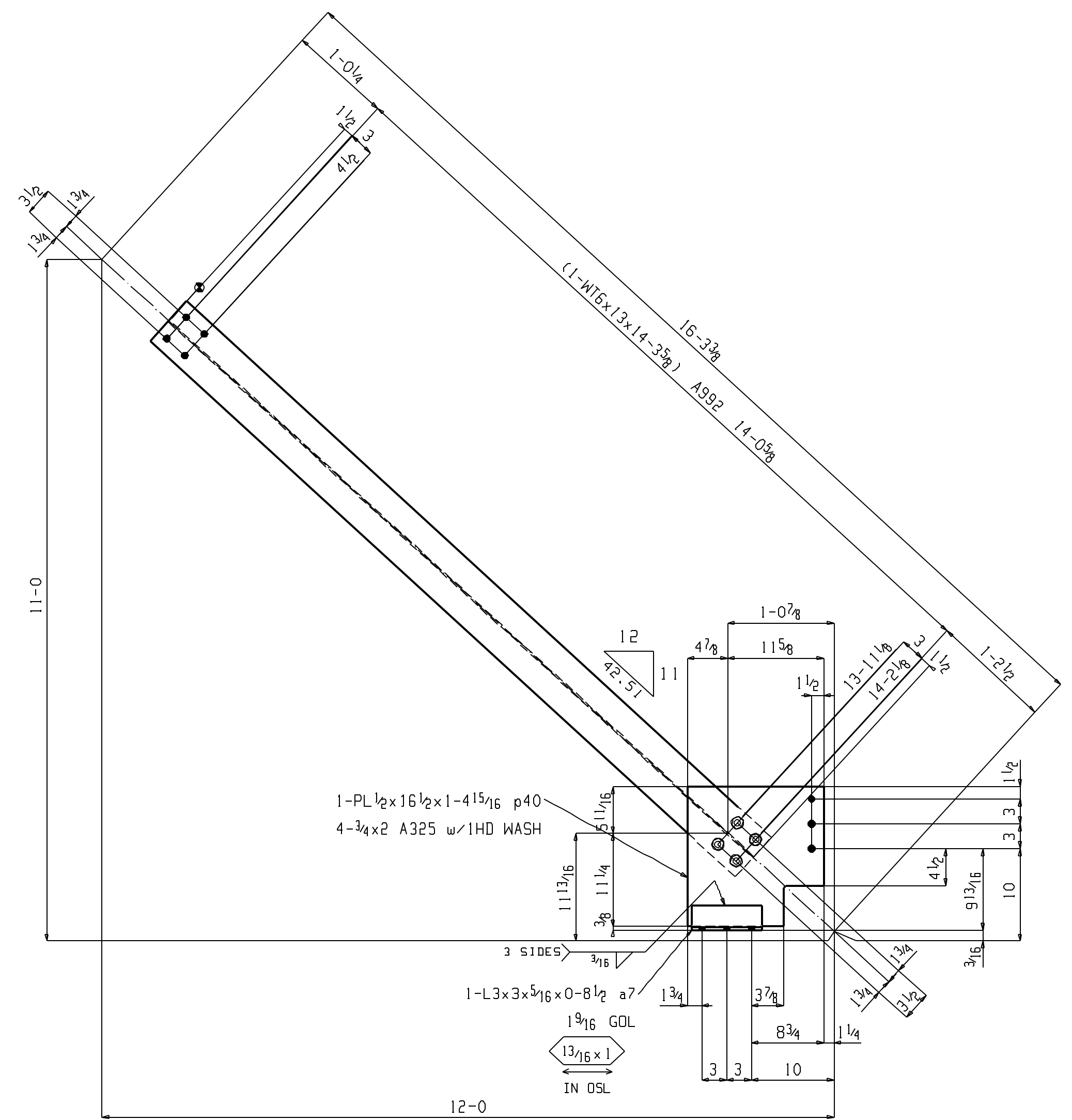


ONE BRACE 12A

W 6 1/8 x 1 1/4
 SHOP NOTE: F 6 1/2 x 3/8
 TOE DIRECTION FAR SIDE



ONE BRACE 12B

W 6 1/8 x 1 1/4
 SHOP NOTE: F 6 1/2 x 3/8
 TOE DIRECTION FAR SIDE

MATERIAL LIST

SEQ No.	SEQ DTY	MILL LIST	MARK	QTY	DESCRIPTION	LENGTH	NOTES	STEEL GRADE
1	1	12A	ONE BRACE				E1	
		12A	1 W16x13	14	1 1/4			A992
		p23	1 PL 3/8x17 1/4	2	2 1/4			A36
		a13	2 L 3x3x5/16	0	11 1/2			A36
		p12	1 PL 1/2x14 5/8	2	5			A36
			4 3/4 Dia A325	0	1 3/4		1HD WASH	
			8 3/4 Dia A325	0	2 1/4		1HD WASH	
			FIELD BOLTS					
			7 3/4 Dia A325	0	2 1/4		2HD WASH	
			4 3/4 Dia A325	0	2		1HD WASH	
1	1	12B	ONE BRACE				E1	
		12B	1 W16x13	14	2 5/8			A992
		p40	1 PL 1/2x16 1/2	1	4 15/16			A36
		a7	1 L 3x3x5/16	0	8 1/2			A36
			4 3/4 Dia A325	0	2 1/4		1HD WASH	
			FIELD BOLTS					
			10 3/4 Dia A325	0	2		1HD WASH	

Sequence: **AS NOTED** Ref. E-Planes: **SEE NOTES COL.**
 Material: **AS NOTED** Edge Dist: **1 1/4"** U.N.D.
 Holes: **1 1/8 Dia.** Bolts: **3/4 Dia. A325 -7C"**
 Cleanings: **NONE**
 Paint: **NONE**